



INSTALLATION INSTRUCTIONS

Accessory

ACCESSORY SOCKET
P/N 08U70-MKN-D50

Application

CB650RA
CBR650RA

Publication No.

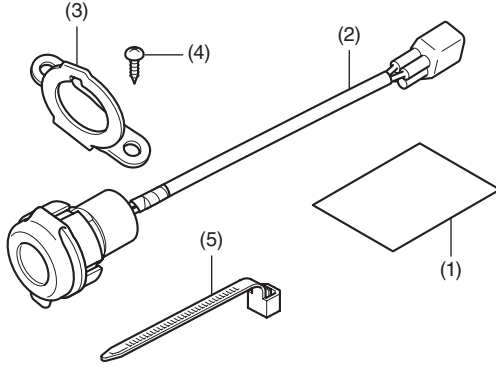
MII

Issue Date

September 2018

Honda Dealer: Please give a copy of these instructions to your customer.

PARTS LIST



No.	Description	Qty
(1)	URL paper	1
(2)	Accessory socket	1
(3)	Accessory socket stay	1
(4)	4 mm screw	2
(5)	Wire tie	1

TOOLS REQUIRED

Phillips ® screwdriver
Torque wrench

TORQUE CHART

Tighten all screws, bolts, and nuts to their specified torque values. Refer to the Service Manual for the torque values of the removed parts.

Item	N·m	kgf·m	lbf·ft
4 mm screw	1	0.1	0.7

INSTALLATION

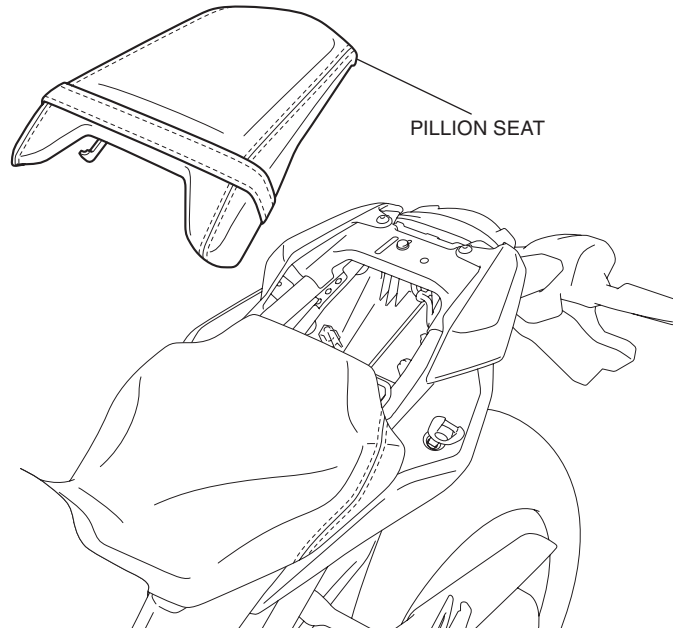
▲ CAUTION

- To prevent burns, allow the engine, exhaust system, radiator, etc., to cool before installing the accessory.

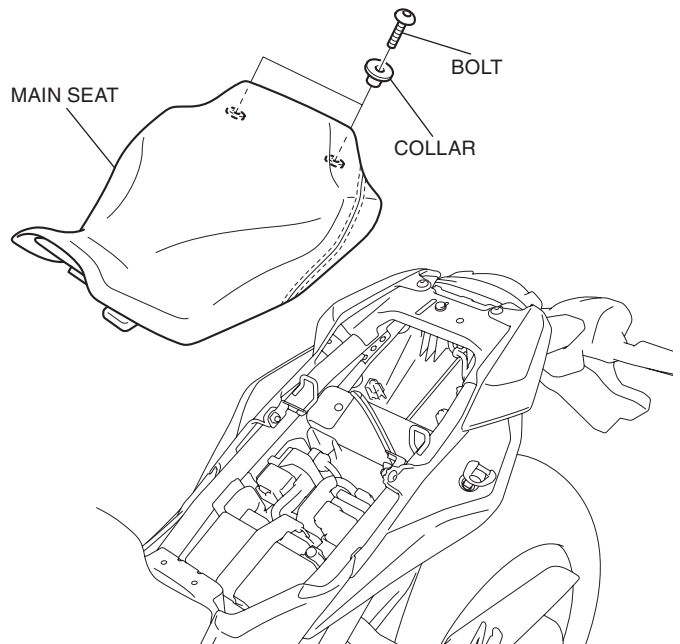
NOTE:

- Disconnect the negative (-) cable from the battery before installing this accessory.
- The memories of the clock will be erased when you disconnect the battery. Reset the memories after reconnecting the battery.
- Reinstall the removed parts on the motorcycle and make sure that the wires and harnesses are not pinched.

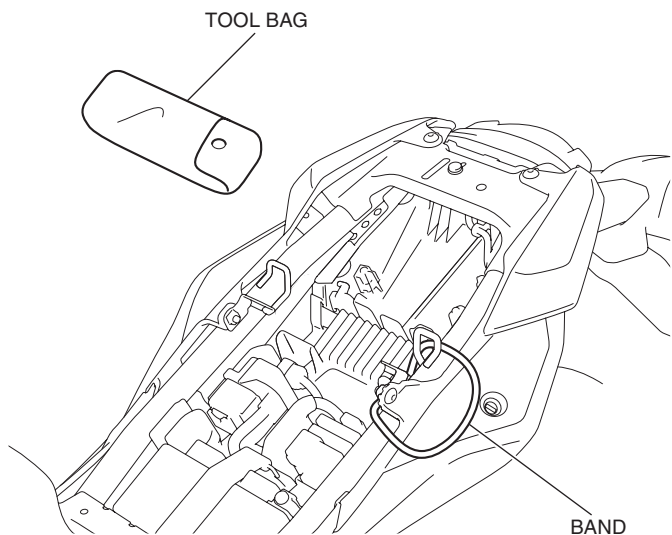
- Remove the pillion seat as shown.



- Remove the main seat as shown and disconnect the negative (-) cable of the battery.

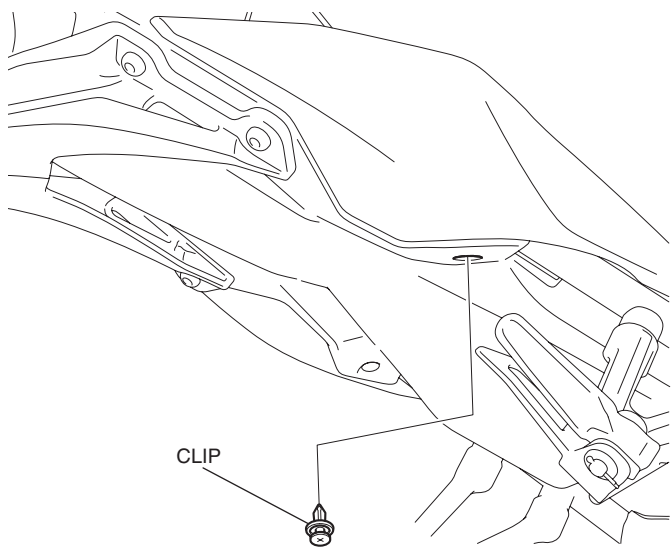


3. Remove the tool bag as shown.



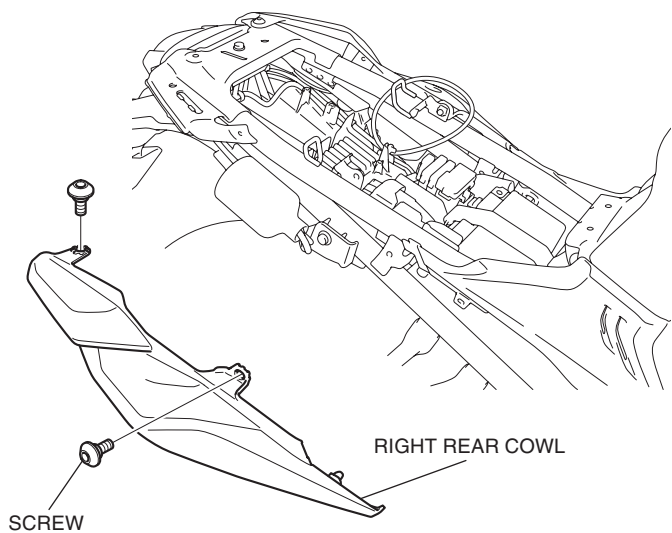
4. Remove the clip as shown.

<Right side>

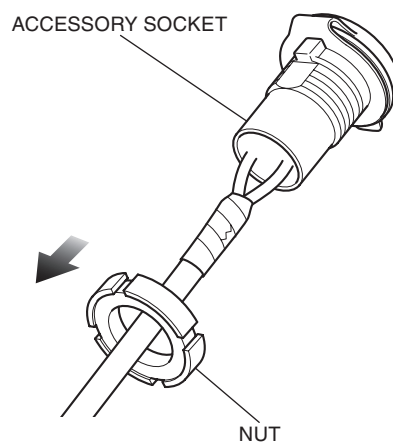


5. Remove the right rear cowl as shown.

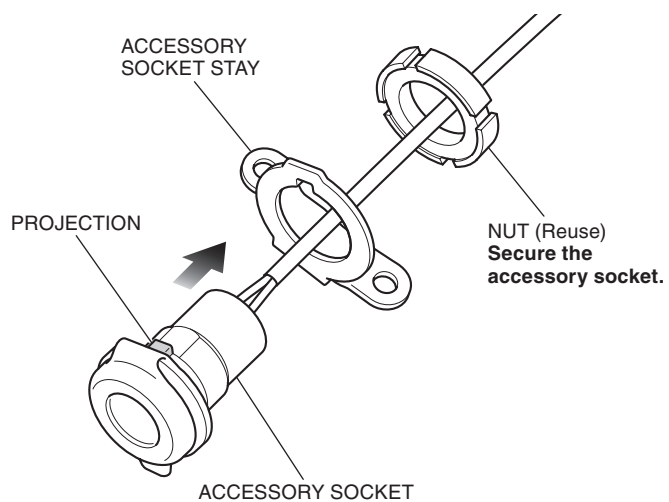
<Right side>



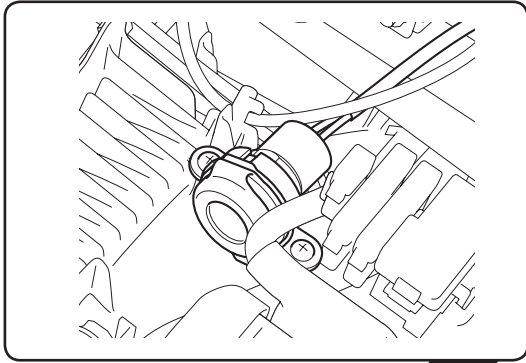
6. Remove the nut as shown.



7. Install the accessory socket as shown.

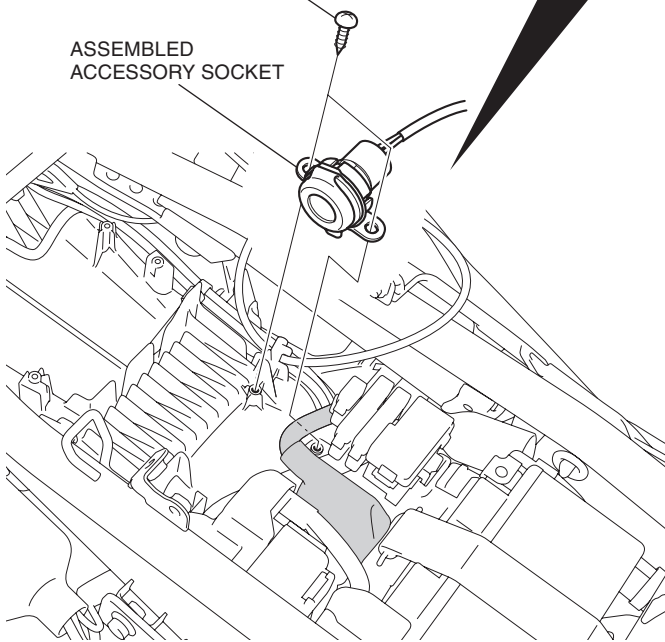


8. Install the assembled accessory socket as shown.



4 mm SCREW

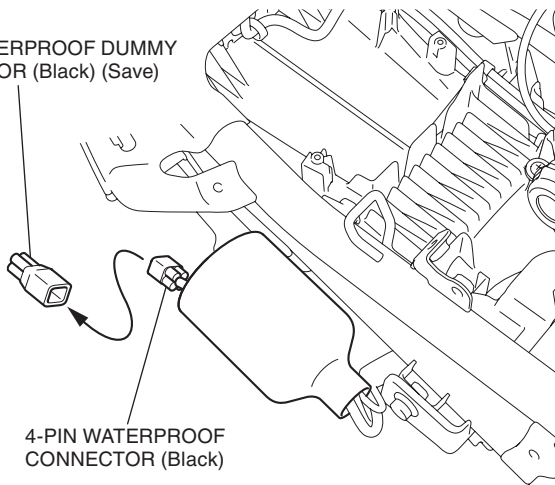
ASSEMBLED ACCESSORY SOCKET



9. Remove the dummy connector as shown.

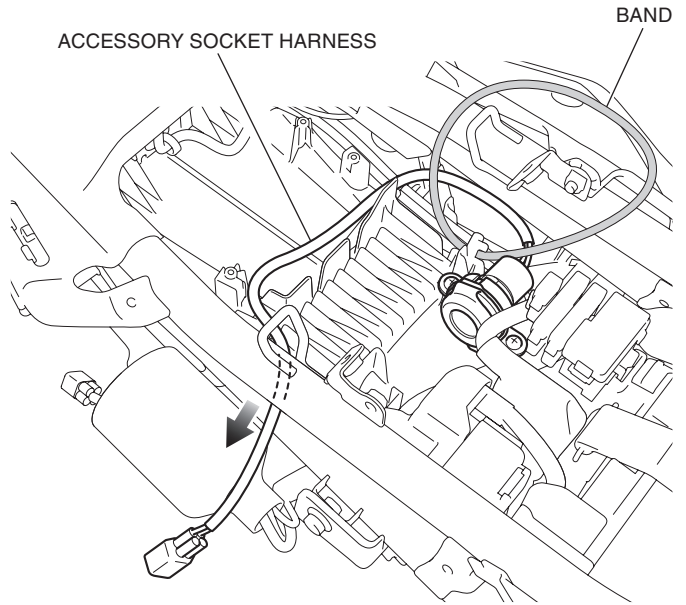
<Right side>

4-PIN WATERPROOF DUMMY CONNECTOR (Black) (Save)



4-PIN WATERPROOF CONNECTOR (Black)

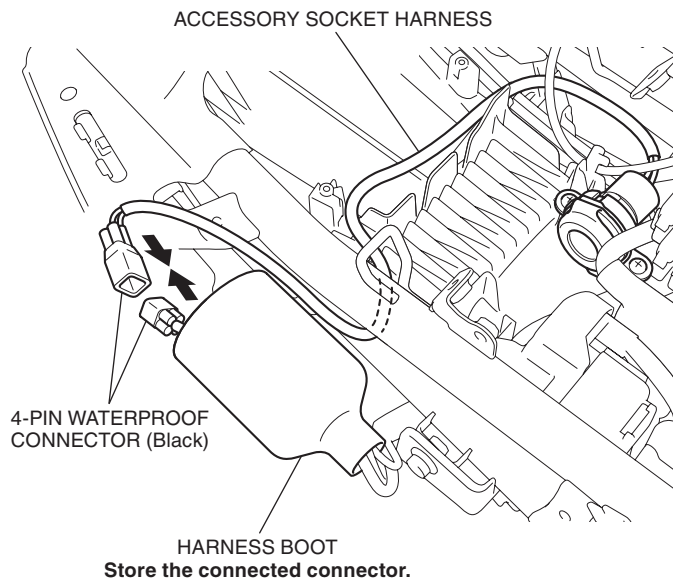
10. Route the accessory socket harness as shown.



ACCESSORY SOCKET HARNESS

BAND

11. Connect the accessory socket harness as shown.



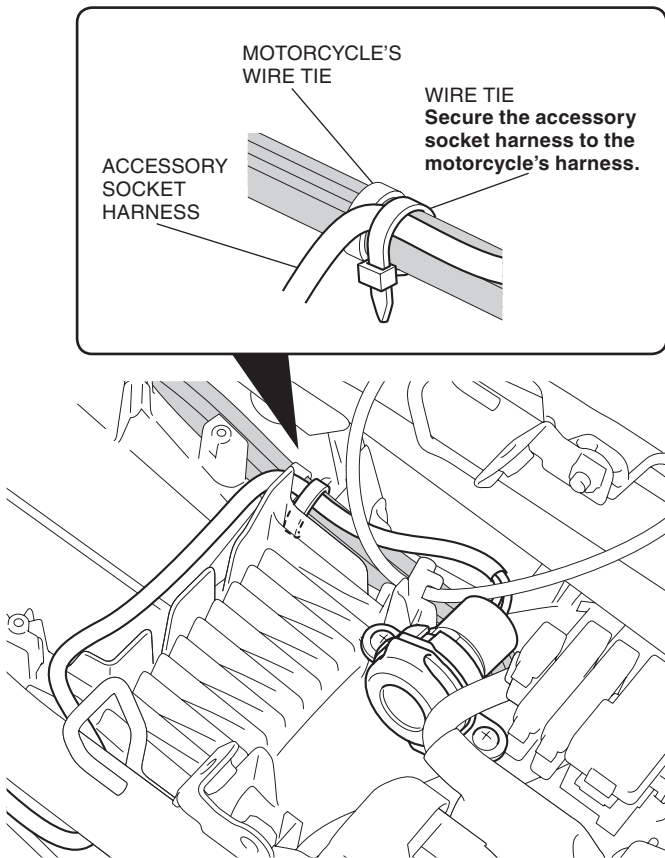
ACCESSORY SOCKET HARNESS

4-PIN WATERPROOF CONNECTOR (Black)

HARNESS BOOT

Store the connected connector.

12. Secure the accessory socket harness with the wire tie as shown.



13. Install the motorcycle's parts in the reverse order of removal.
14. Check the accessory socket, headlight and the other lights for proper operation.